

Yes I would like to have details on how your bands can optimise my products!

Please contact me. You can reach me at the following address:

These are my main basic data:

Type of machine:

.....

Goods to be transported and their weight:

.....

Dimensions Band length: mm
 Band width: mm
 Band thickness: mm
 Quantity:
 Smallest pulley diameter: mm

Name

Company

Street

Postal code / city

State

Phone no.

Fax no.

Email

Other details

Mechanical features

Belt elongation high medium low
 Cross stiffness high medium low

Temperature range - °C + °C

Friction on running side high low
 Friction on conveying side high low

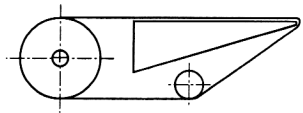
Application features

- Antistatic
- Weighing belt
- Running over slider bed
- FDA approved
- Existing tensioning device ± mm
- No tensioning device

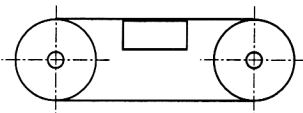
Belt tracking crowned pulleys flanged pulleys
 adjustable pulleys guiding roller
 other edge guides tracking guide

Chemical resistance

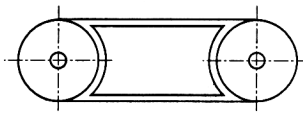
- acids bases oil/grease
- ozone weathering/UV water
- cleaning products
- others



Running over knife edge
 Radius = mm



Running over slider bed



Vacuum belt
 (perforations as shown in sketch)

Sketch: